

GlueBox Mini 40222 HD-SD SDI to Universal Analogue Converter



Key Features

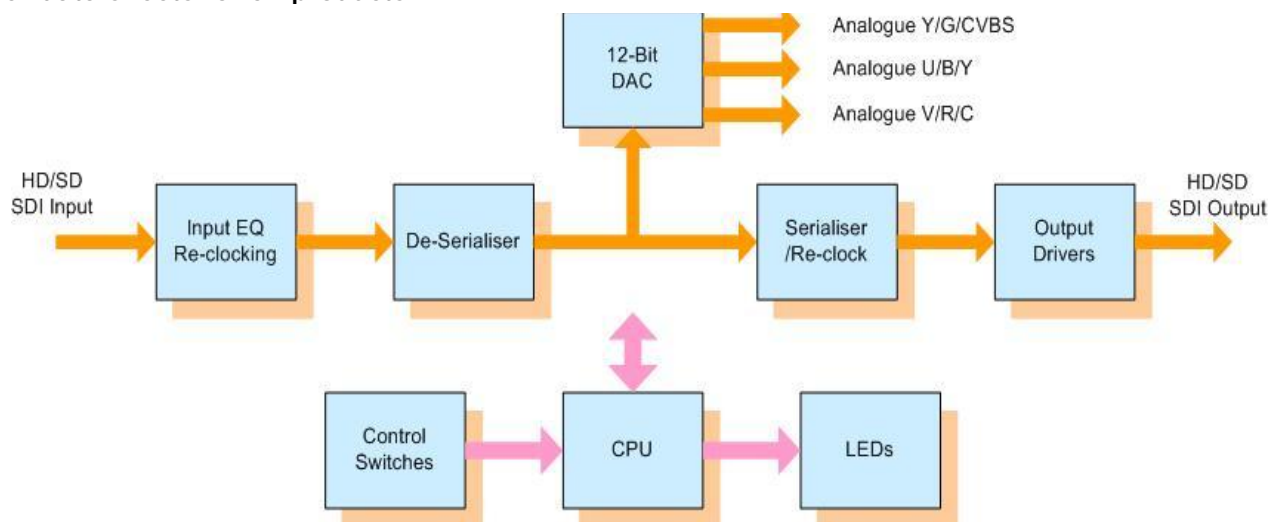
- HD/SD SDI to universal Analogue Converter
- RGB, YUV, or composite output
- SMPTE/EBU or Beta level outputs
- Automatic input detection & equalisation.
- Re-clocked SDI output
- 16x over sampling for SD, 4x over sampling for HD
- 12-bit signal processing
- Built in colour bar generator (analogue outputs only, requires SDI input)
- Compact and rugged design
- Locking connector for PSU

The GlueBox Mini 40222 is a stand alone full featured broadcast quality 1.45Gb/s HD/ SD SDI to universal analogue converter, just a little larger than a credit card. The analogue output is selectable to YUV & composite (CVBS), RGB & CVBS, RGBS, or YC and 2 CVBS via switches on the end of the unit. providing security and peace of mind.

These switches also control the output of a built-in test pattern, vertical blanking information and black-burst output. The GlueBox Mini 40222 is extremely compact and constructed from rugged aluminium extrusion, making it ideally suited to both studio and portable applications. A universal mounting bracket is supplied for applications where the unit is to be fitted to a fixed surface. The external power supply cable is fitted with a locking connector, providing security and peace of mind.

The GlueBox Mini Series products can be used individually or rack mounted. Up to 5 can be housed in the 1RU rack mounting frame or up to 14 in the 2RU rack mounting frame, although power supply options may reduce rack capacity.

The unit is part of a complete range of high quality GlueBox video and audio signal conversion and distribution products, all suitable for broadcast and other professional applications. Please see the other data sheets for all products.



GlueBox Mini 40222 HD-SD SDI to universal Analogue Converter



Specifications

SDI Input	
HD	SMPTE 292M (1.485 & 1.485/M Gb/s) 1080i, 720p & 1035i
SD	SMPTE 259M-C (270Mb/s) 625i 50/525i 59.94
Connector	75Ω BNC
Return loss	>15dB to clock frequency
Cable equalisation	HD to 160m, SD to 200m. (Belden 1694A)
Re-clocked SDI output	
Standard	SMPTE 292M, SMPTE 269M-C
Connector	75Ω BNC
Signal Level	800mVp-p ± 10%
Return loss	.15dB up to clock frequency
Analogue Outputs	
Format	Composite & YC (SD only), YUV or RGB
Composite	PAL (B,D,G,H,I), PAL N, NTSC USA & Japan
Component	SMPTE/EBU or Beta component levels
Connectors	75Ω BNC
Signal Level	1 Vp-p
Return loss	>36dB to 5.5Mhz
Test Patterns	Colour bars (SDI input required)
Frequency response	8.5Mhz passband for SD 42Mhz passband for HD
Differential gain	<0.3%
Differential phase	<0.5°
Quantization	EN60950
Electrical	
Voltage	6-12V DC
Power	<5W
Safety	EN60950
Other	
LED	Shows power & signal presence
Weight	255g
Temperature	0°C to 40°C
Dimensions	63.5mm x 84mm x 30mm (excluding connectors)

Ordering Information

GlueBox Mini 40222 HD-SD SDI to universal analogue converter

Options

GlueBox Mini Series PSU-SA - Plug-in AC Power Supply for OxBox Mini or Midi Series (AC to DC converter)

GlueBox Mini – PSU-SA-IEC Plug-in AC Power Supply with IEC input connector

GlueBox Mini – PSU-SA-UK Plug-in AC Power Supply with UK Mains input connector

GlueBox Mini – PSU-SA-EU Plug-in AC Power Supply with EU Mains input connector

GlueBox Mini 1RU - 1RU Rack-Frame for OxBox Mini Series Interfaces and Converters, up to 5 units. Incl PSUs

The above information is subject to continual change due to product development.
Oxygen DCT2009. E & OE.