



## OxBox Inline Isolatz 3G/HD/SDI DC Ground Isolators



### Key Features

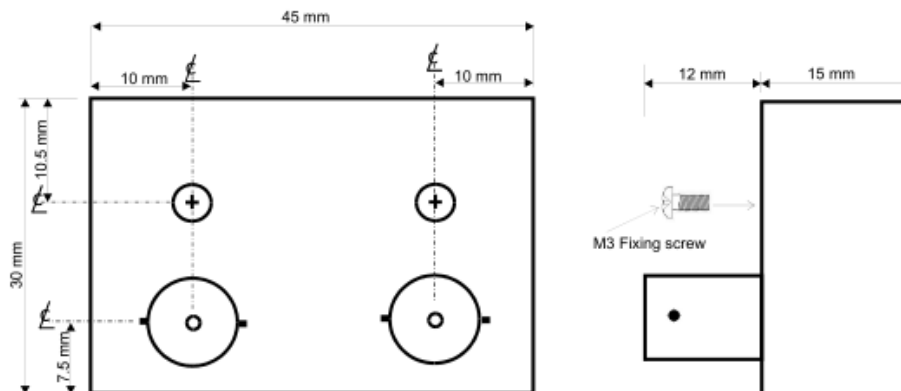
- Passive 3G/HD/SDI Hum isolators
- Three different versions
- Supports all data rates up to 3GHz
- Non inverting
- Eliminates Hum
- Miniature 45mmx30mmx15mm
- Connectors on one side
- Requires NO power supply
- Optional rack mount for 8 units

The OxBox Inline Isolatz products are simple, compact, passive low cost hum isolators. Their design is based upon a high quality broadband high pass filter which provides DC electrical isolation between two pieces of equipment with differing ground potentials. They are transparent to the signal and allow the bandwidth of the signal, up to 3Ghz HD-SDI, to transparently pass through unchanged.

These devices are suitable for medical, industrial, broadcast and network telecoms applications and signals such as ASI, SDI and HD/SDI format up to 3.0Ghz, since they are non-inverting.

To achieve the specified performance the input signal should be to the respective SMPTE or EBU broadcast television standards having an impedance of 75 ohms. Both outputs must be terminated with 75 ohms and therefore, if an output cable is not present, an appropriate performance (HDTV/SDI) 75 ohm termination should be used.

OxBox Inline Isolatz products are part of a high quality Systemz range of reliable digital video distribution, isolation and conversion products. Please visit [www.oxygendct.com](http://www.oxygendct.com) for latest details, where online pricing and ordering is available, 24/7, 365 days per year. For technical support or any further questions please contact us using the details below.





## OxBox Inline Isolatz 3G/HD/SDI DC Ground Isolators

### Specifications

<b>SDI Input/outputs</b>	
Impedance	75Ω BNC
Bandwidth	<0.5 Mhz to >3.0 GHz
Return loss	>20dB,
Amplitude roll off	<0.25dB <0.5 Mhz to 3.0 GHz
DC Breakdown Voltage	>100 volts
Connector s	BNC Female
<b>Mechanical</b>	
Material	ABS plastic manufacture, except for metal BNC connectors
Temperature range	0°C to 60°C
Dimensions	45mm x 30mm x 15mm (excluding connectors)
Weight	26 gm

### Ordering Information

OxBox Inline Isolatz-3G, Multi-rate 3G SDI DC Ground Isolator  
OxBox Inline Isolatz-SD, Multi-rate SD SDI DC Ground Isolator  
OxBox Inline Isolatz-HD, Multi-rate HD SDI DC Ground Isolator

The above information is subject to continual change due to product development.  
Oxygen DCT 2009 E & OE